

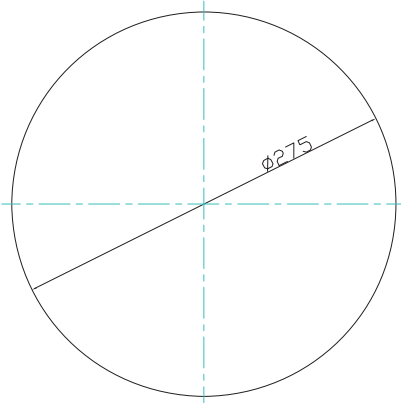
Specifications

Features

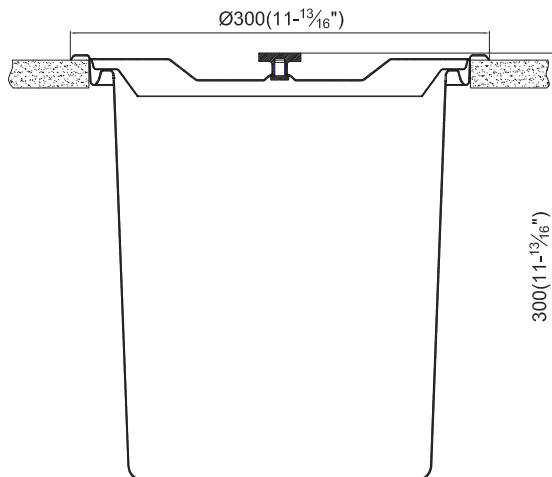
Garbage Can
 Material: 304 Stainless Steel
 Finished: Brush Nicked
 Dimensions: 300 (L) x 300 (W) x 300 (H) mm
 11-13/16" x 11-13/16" x 11-13/16"



Cut-out Template



Assembling Drawing



Installation Steps

